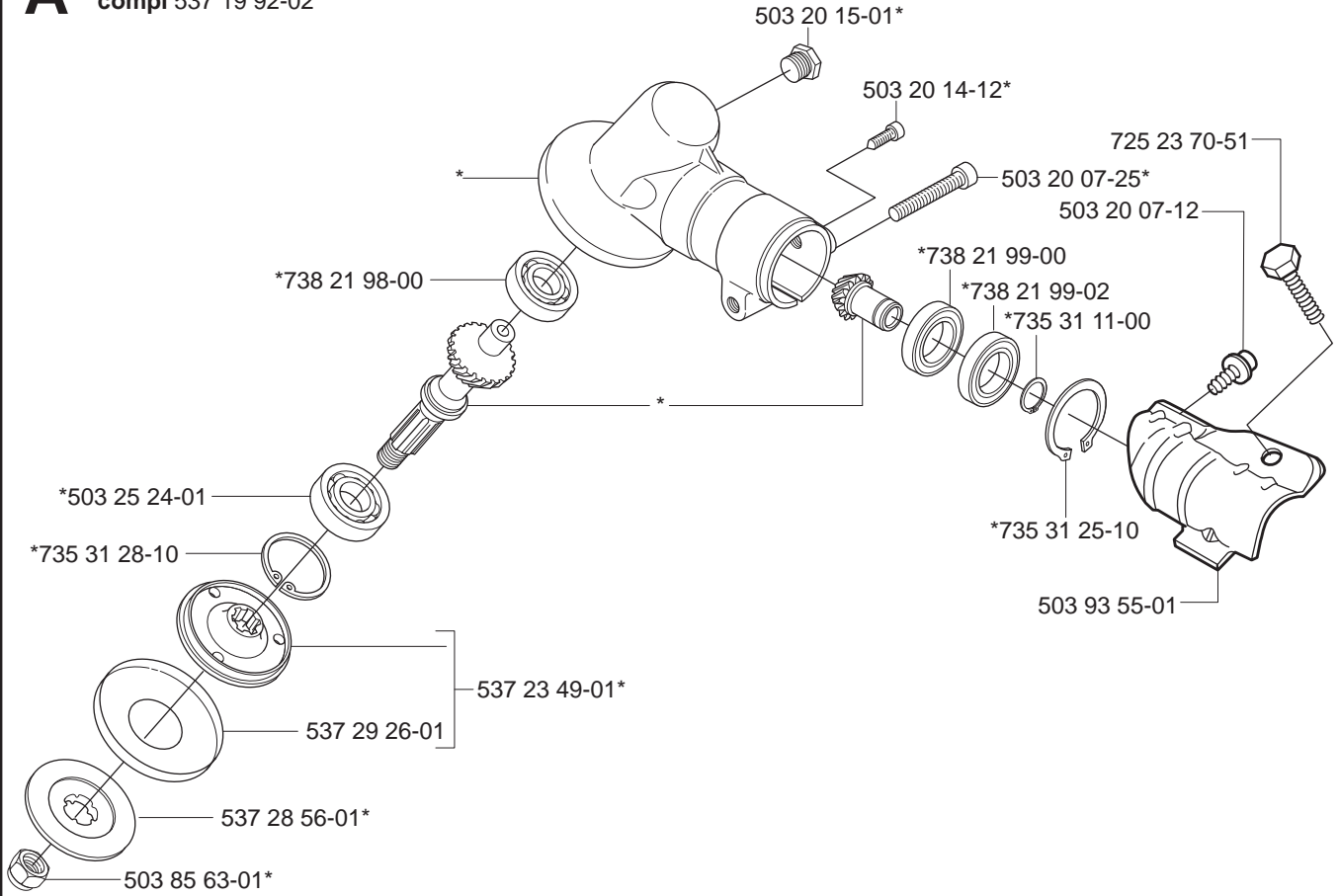
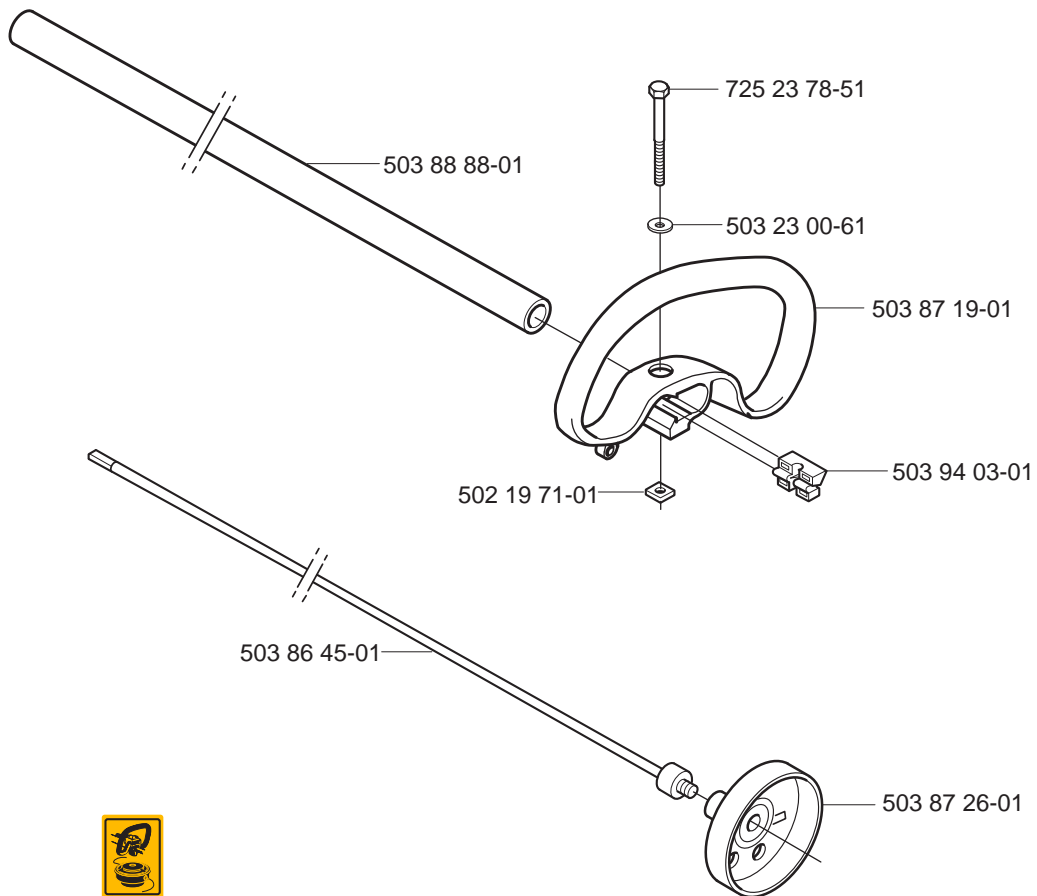


A 323L, 323R
*compl 537 19 92-02



B 323L

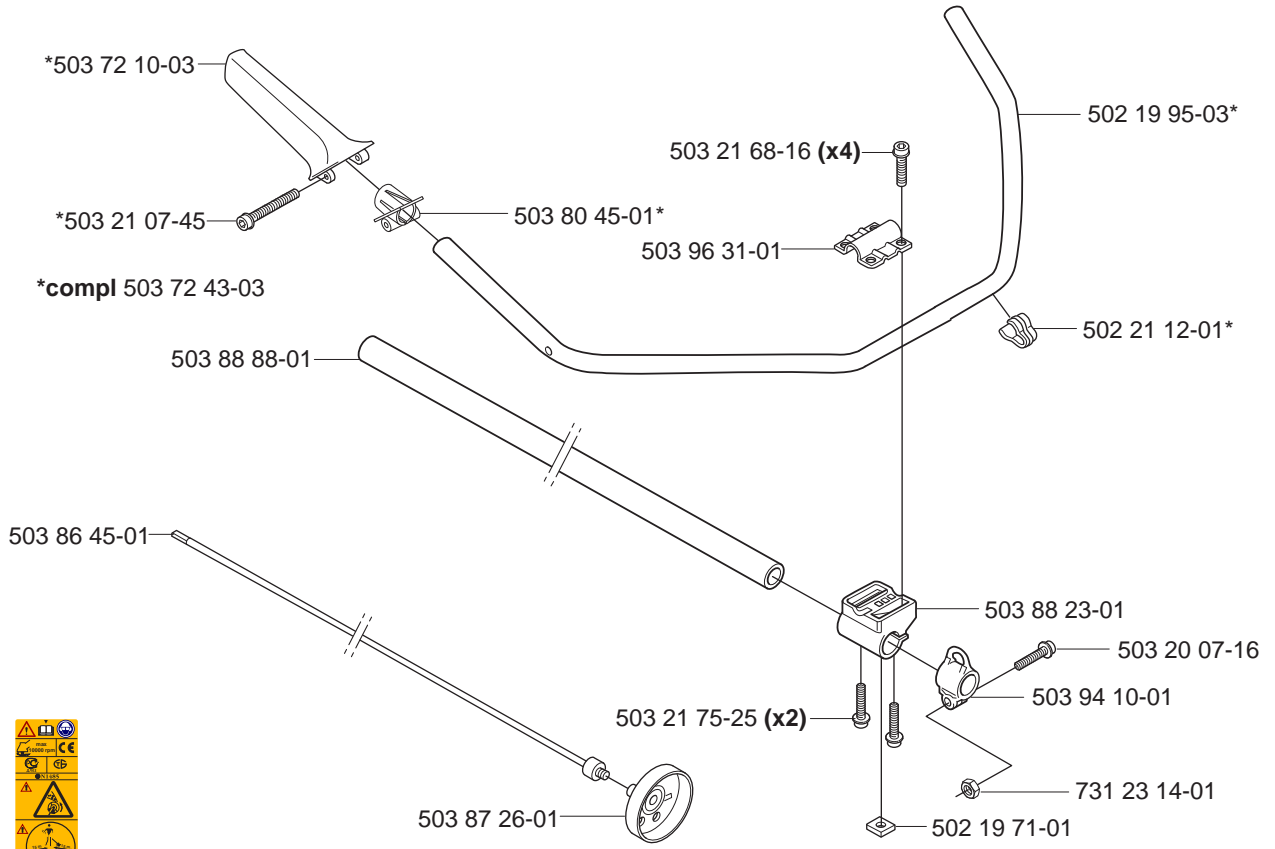


537 29 48-01



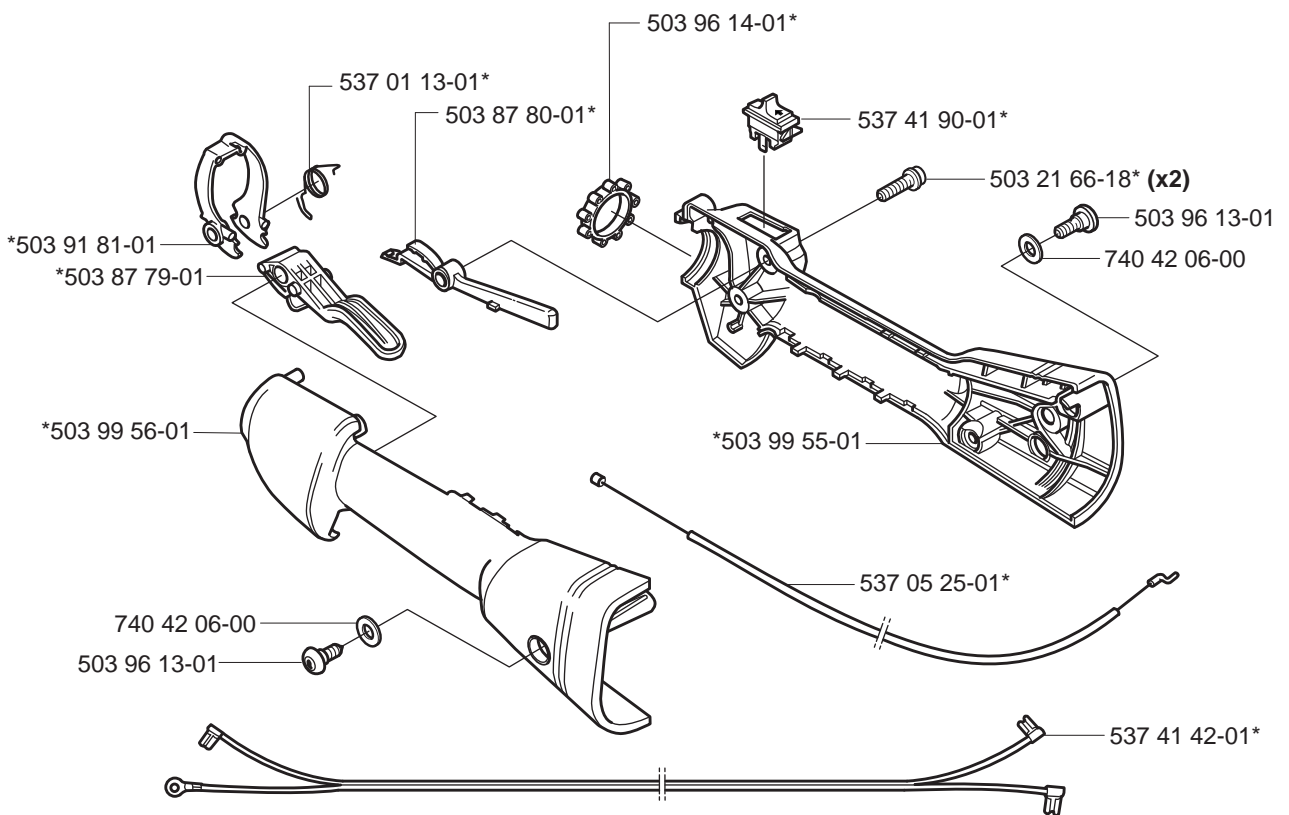
503 79 56-01

C 323R

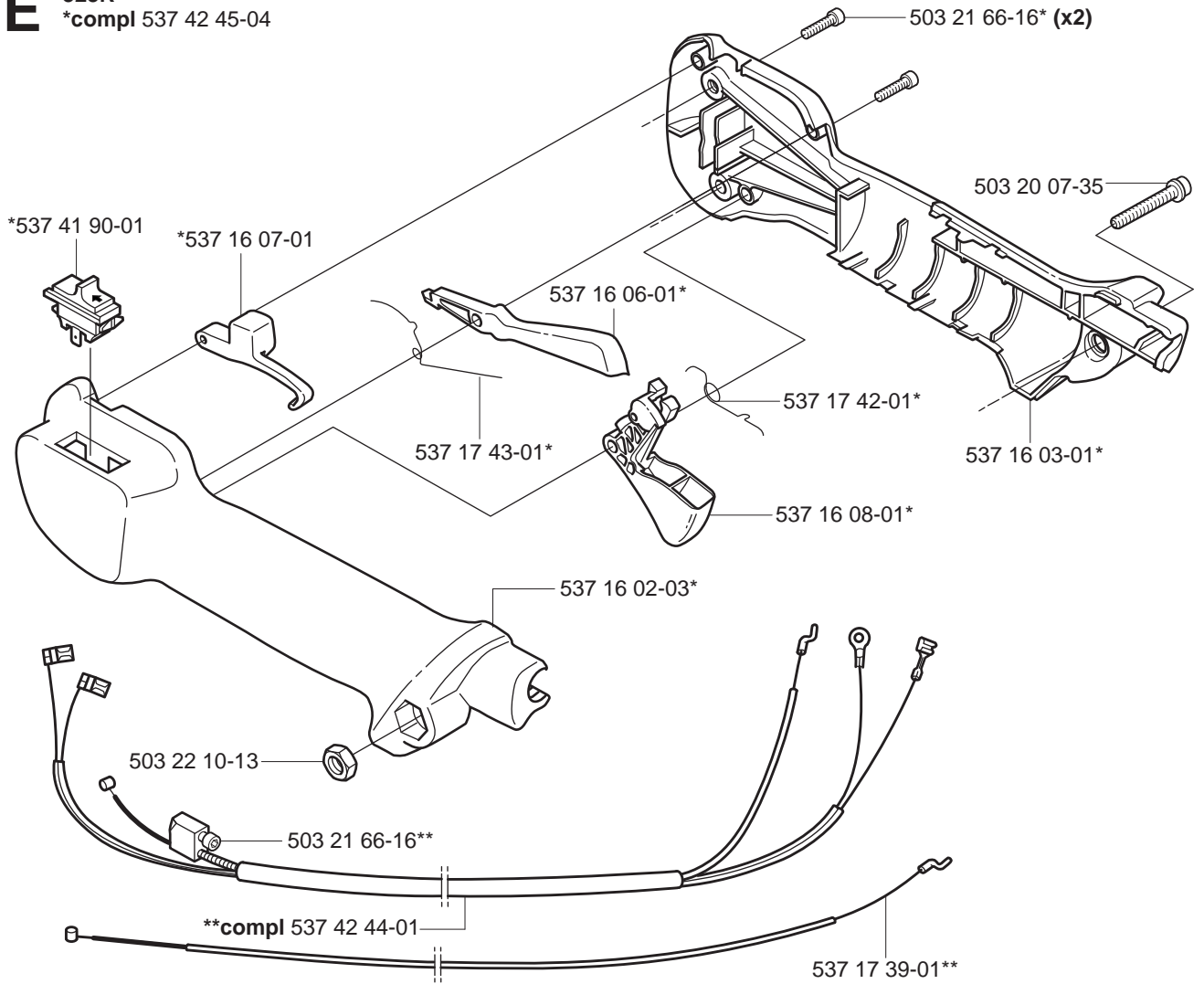


537 29 48-01

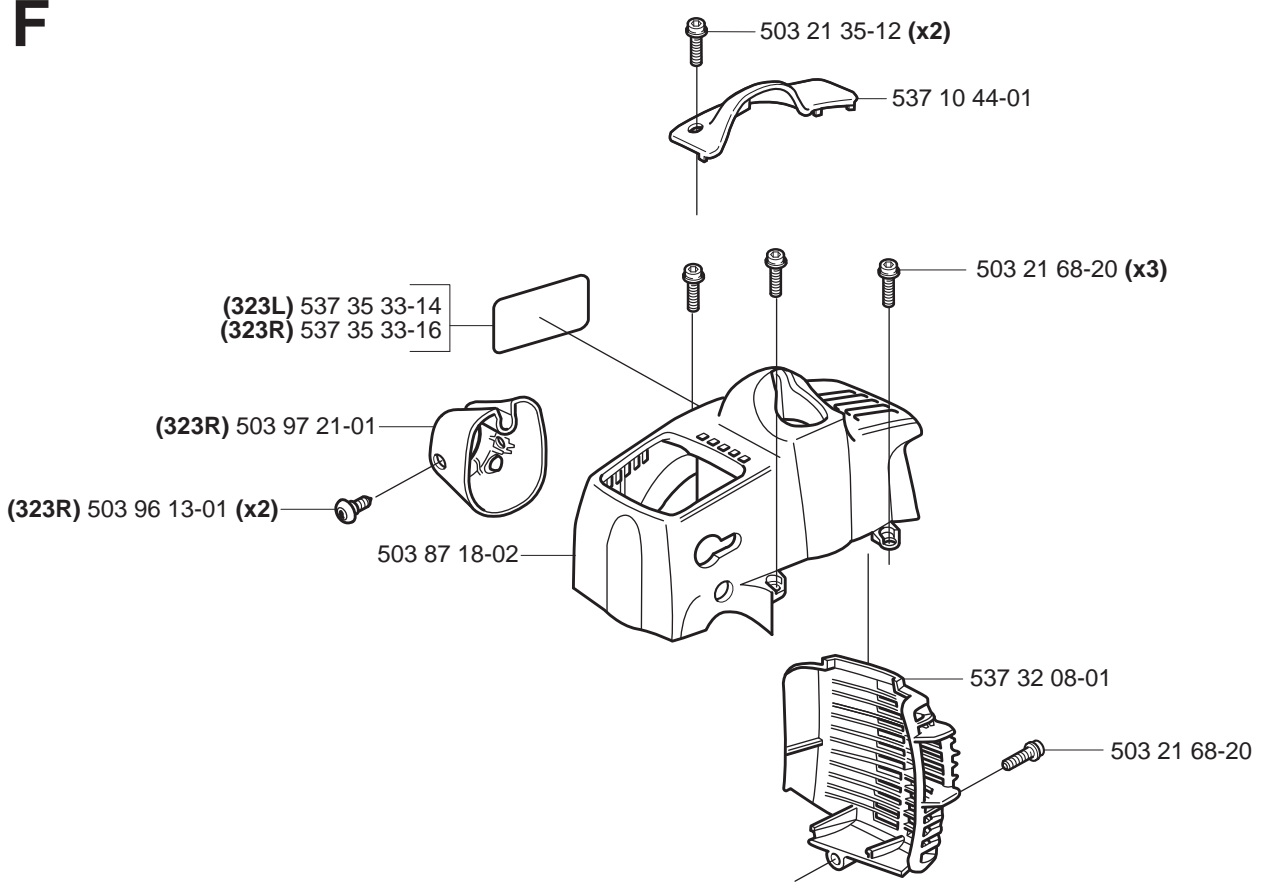
D 323L
*compl 537 44 38-02

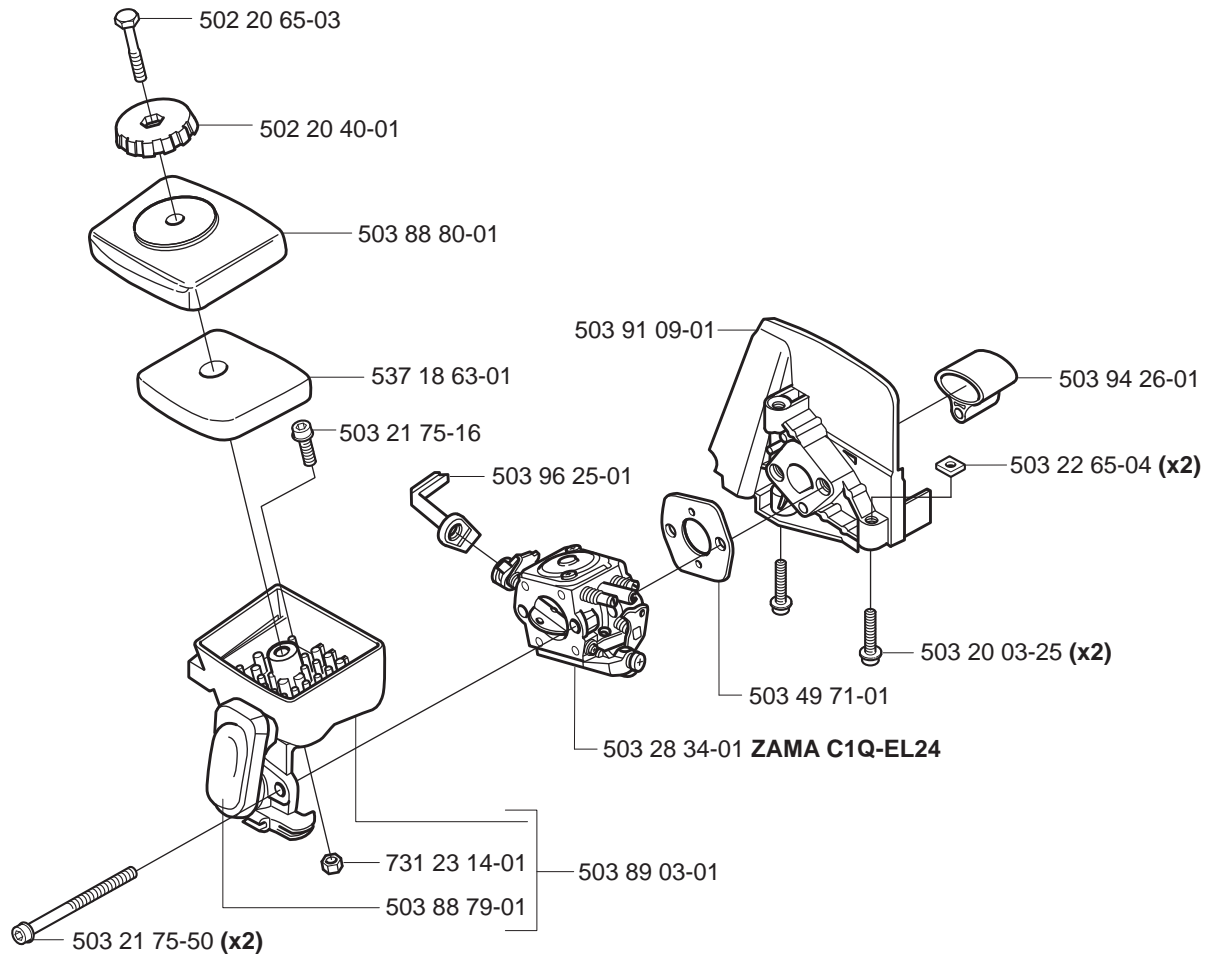


E 323R
*compl 537 42 45-04



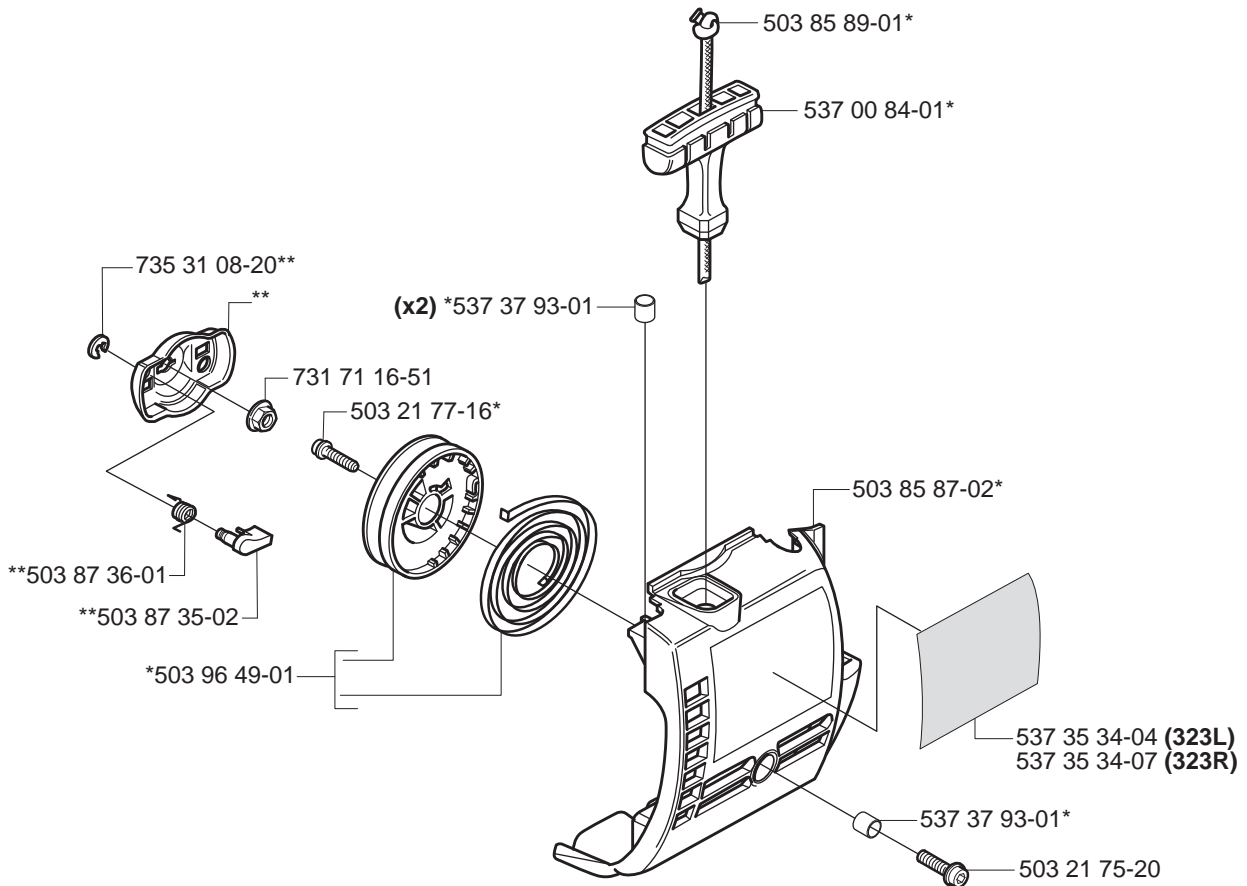
F

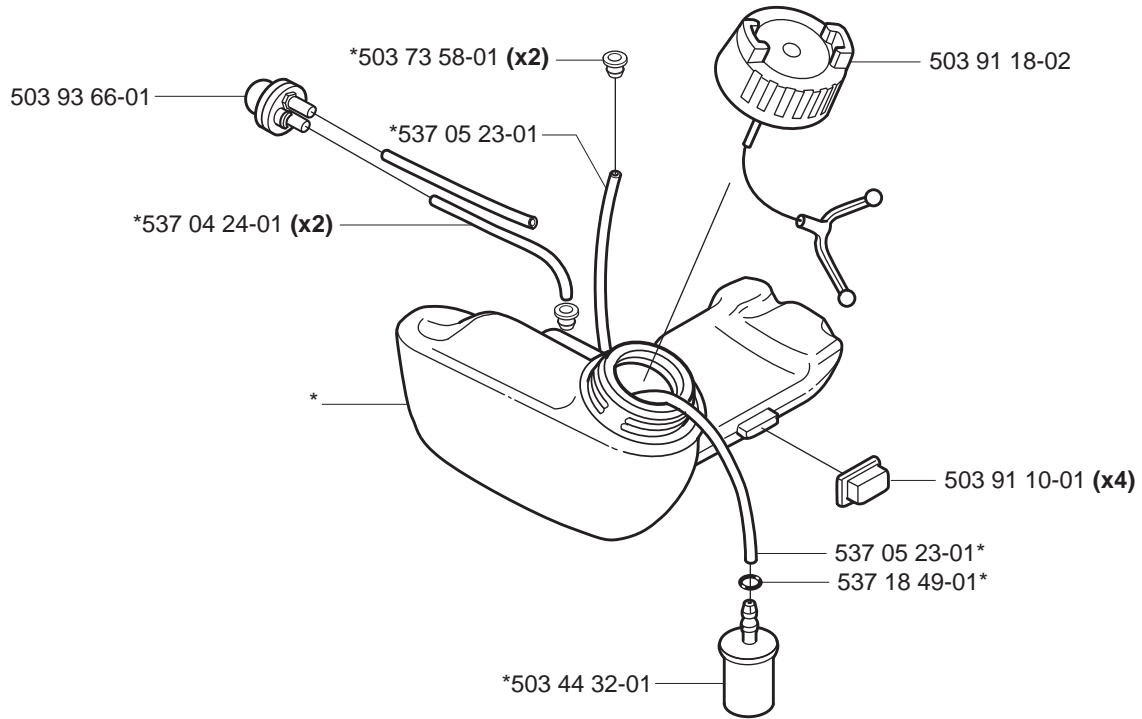
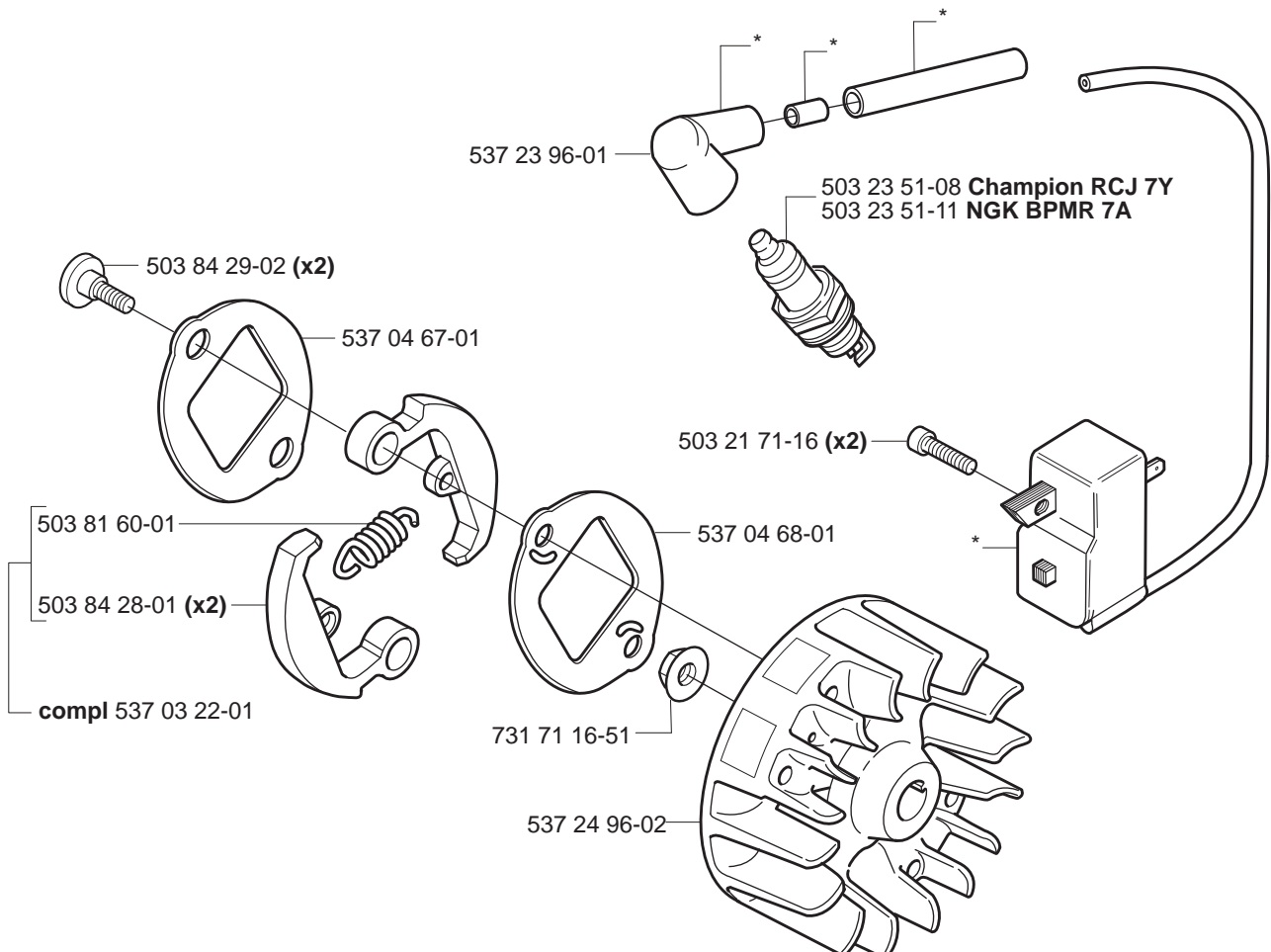


G**H**

*compl 503 85 28-04

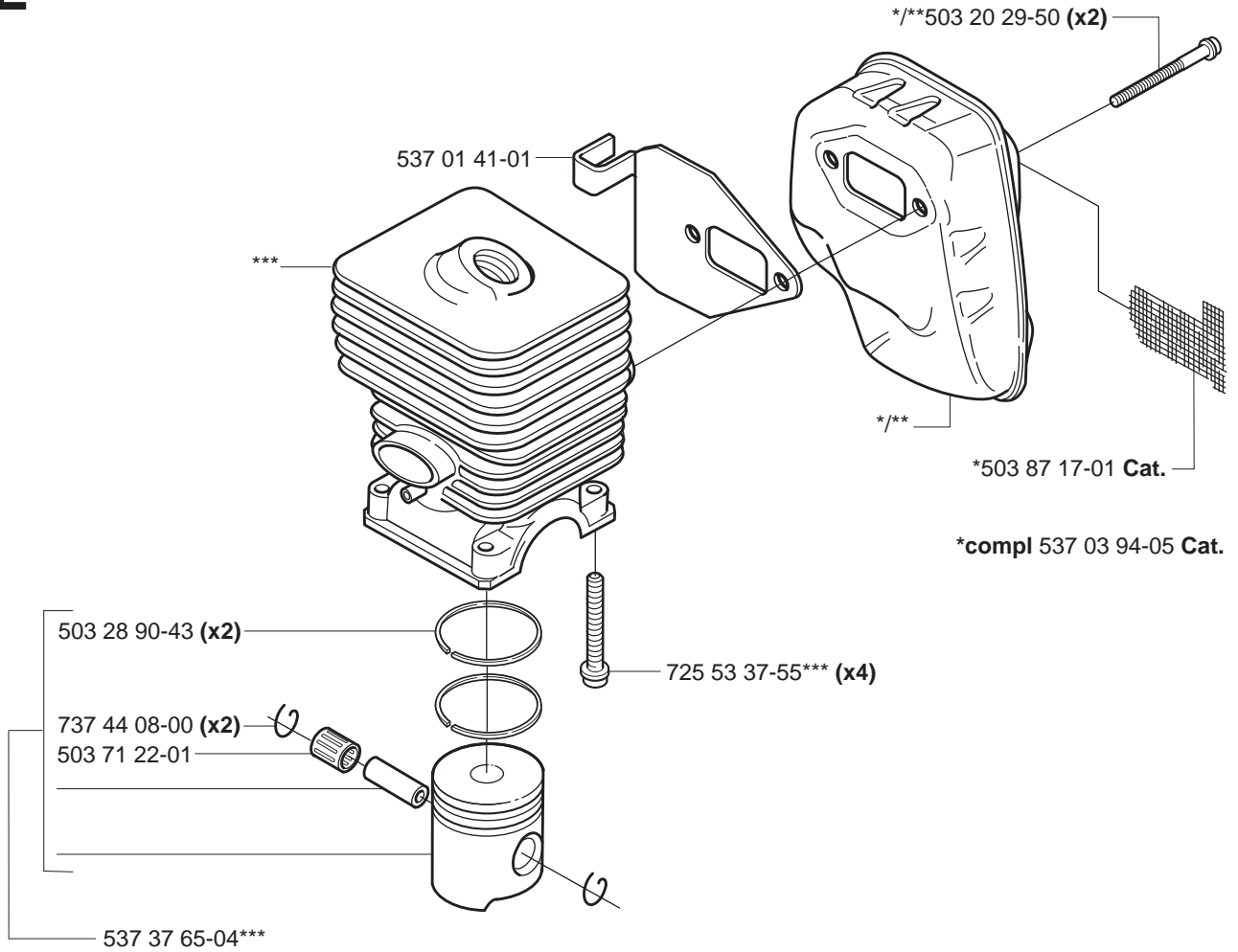
**compl 503 87 33-02



J***compl 537 06 86-01****K*****compl 537 41 87-01**

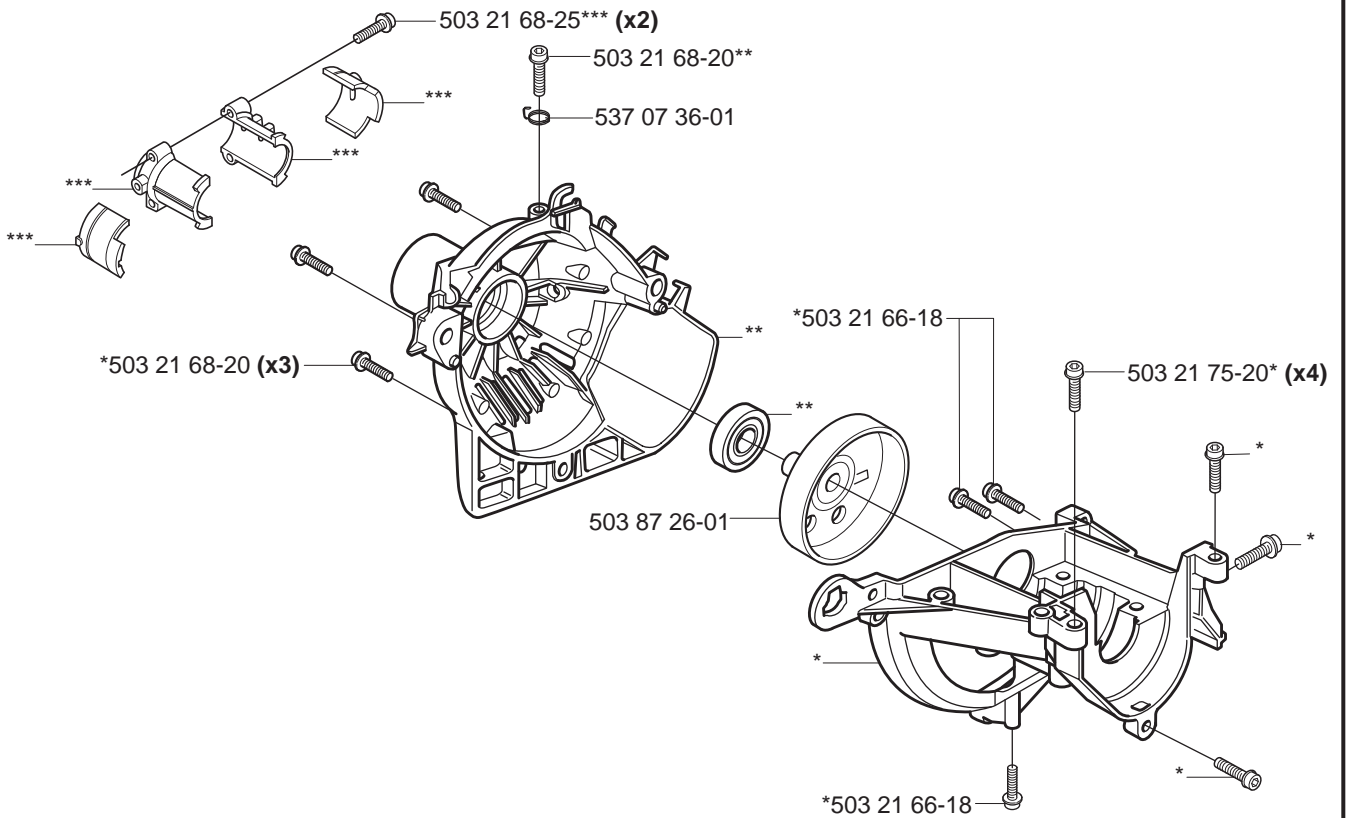
L

***compl 537 03 20-08



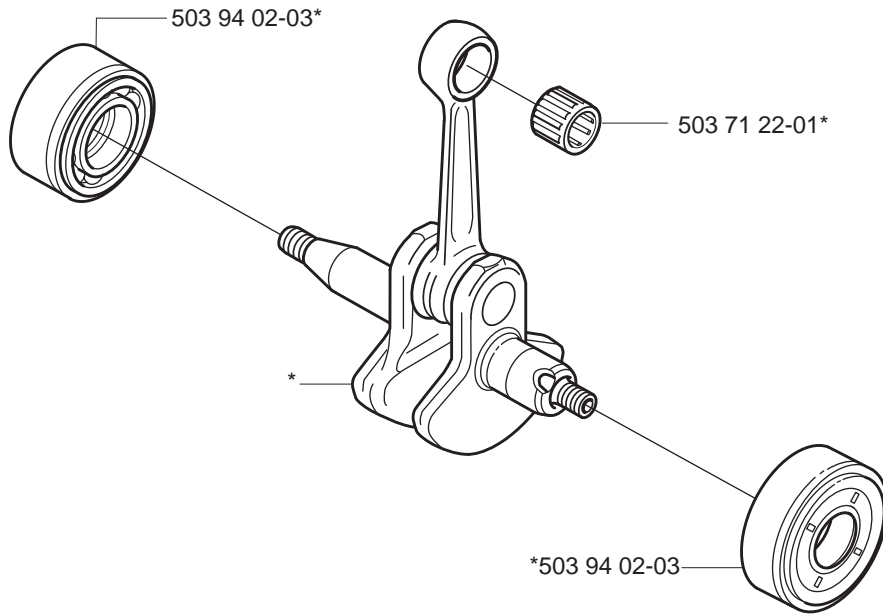
M

*compl 537 04 11-02
**compl 537 04 12-03
***compl 537 30 96-01



N

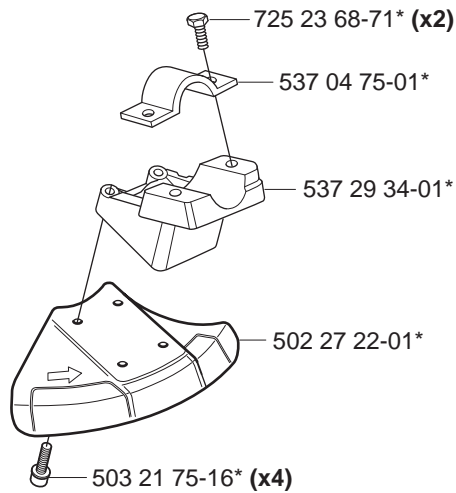
*compl 503 85 24-74

**P**

Accessories
Zubehöre
Accessoires
Accessorios
Tillbehör

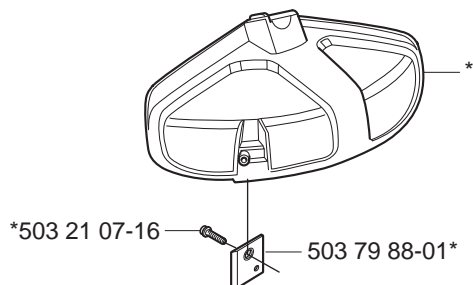
323R

*compl 537 29 95-01



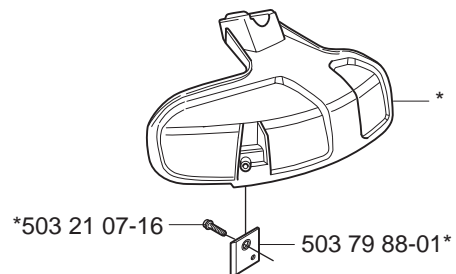
323R

*compl 503 93 42-02

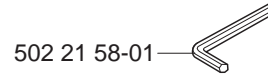
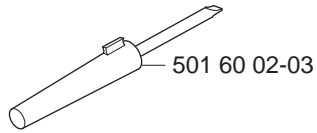
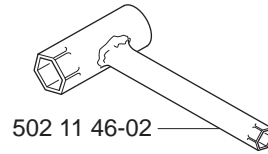
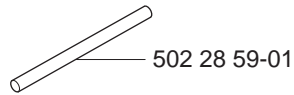


323L

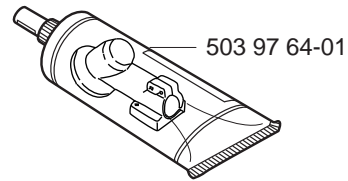
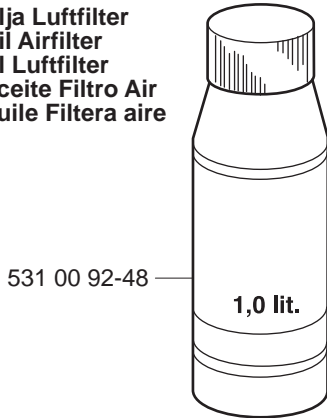
*compl 503 97 71-01



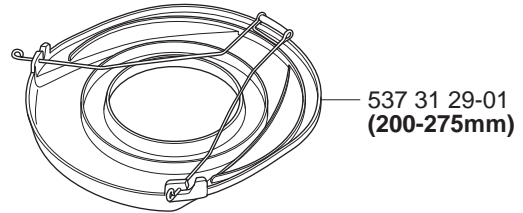
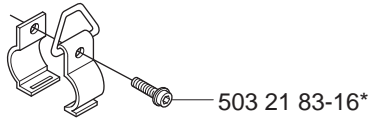
P Accessories
 Zubehöre
 Accessoires
 Accesorios
 Tillbehör



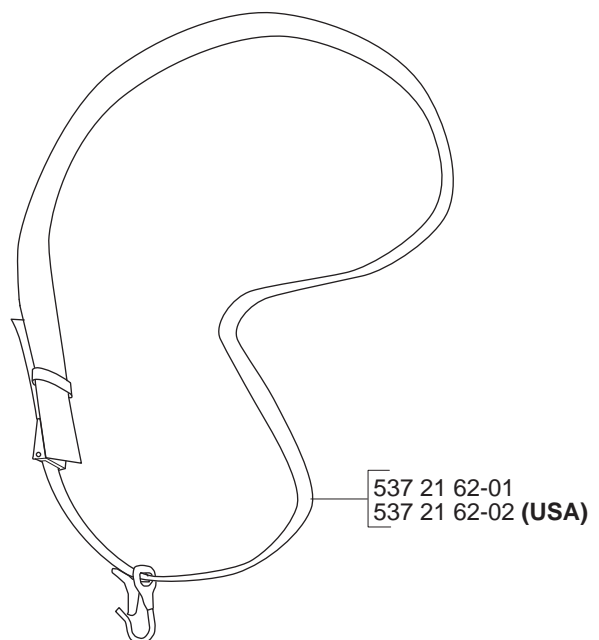
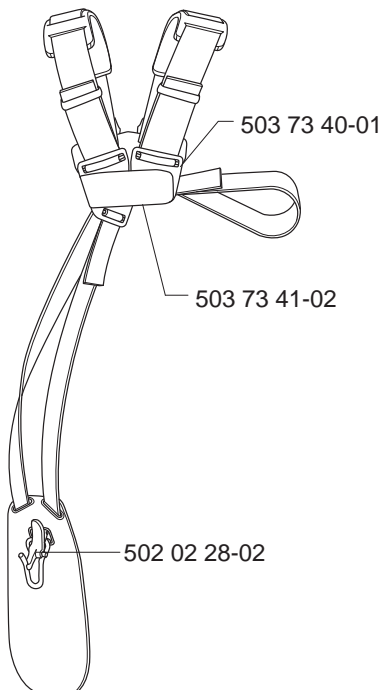
Olja Luftfilter
Oil Airfilter
Öl Luftfilter
Aceite Filtro Air
Huile Filtera aire



*compl 501 78 33-01

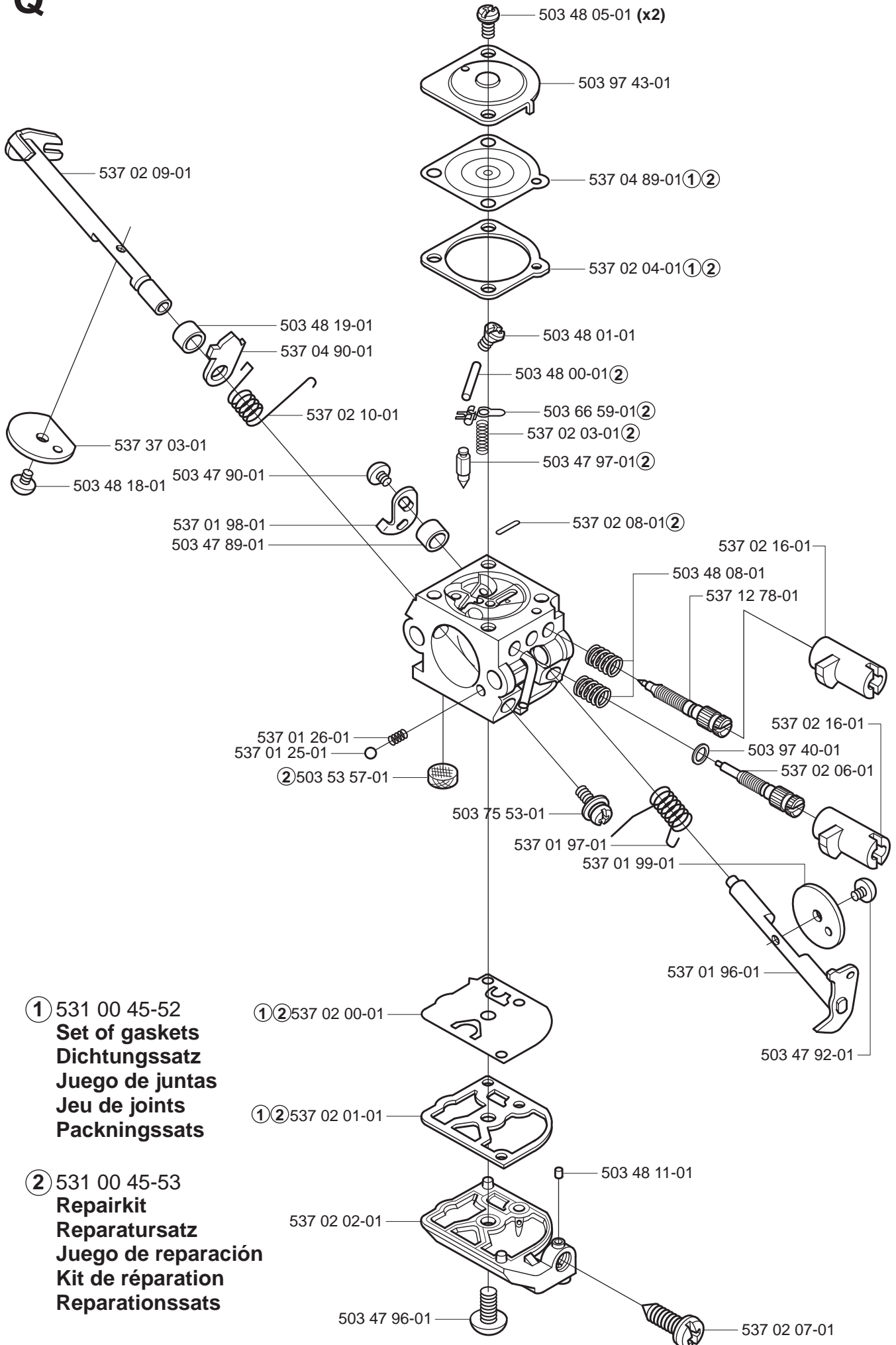


compl 537 21 63-01
 compl 537 21 63-02 (USA)



Q

compl 503 28 34-01 ZAMA C1Q-EL24

ZAMA C1Q - EL 24

RECOMMENDED PARTS, ACCESSORIES, LUBRICANTS

323L/323R TRIMMER

	<u>Item</u>	<u>Part Number</u>	<u>Description</u>
Normal Maintenance Parts	Air Filter	537 18 63-01	
	Air Filter Cover	503 88 80-01	
	Fuel Filter	503 44 32-01	
	Fuel Cap	503 91 18-02	
	Ignition Module	537 41 87-01	
	Spark Plug	503 23 51-11	
	Start/Stop Switch	537 41 90-01	
	Starter Assy.	503 85 28-04	
	Starter Pawl	503 87 35-02	
	Starter Pulley Assembly	503 96 49-01	
	Air Purge Bubble	503 93 66-01	
	Cylinder Cover	503 87 18-02	
	Muffler Cover	537 32 08-01	
	Handle, Loop	503 87 19-01	
	Grass Shield, L	503 97 71-01	
	Grass Shield, R	503 93 42-02	
	Line Cutter	503 79 88-01	
	Gear Head	537 19 92-02	
	<u>Item</u>	<u>Part Number</u>	<u>Description</u>
Trimmer Accessories	Trimmer Line	639 00 50-12	.080" Titanium Trimmer Line, 1/2 lb.
		639 00 50-02	.095" Titanium Trimmer Line, 1/2 lb.
		639 00 50-03	.105" Titanium Trimmer Line, 1/2 lb.
	Trimmer Head	531 30 01-94	T35 Trimmer Head
		531 30 03-64	T35 Replacement Spool
	Brush Cutter Blade	531 30 02-34	255-4 Brush Cutter Blade (When Used With a Barrier Bar Kit ONLY)
Barrier Bar Kit	537 04 85-02	Barrier Bar Kit - 300 Series Trimmers	
	<u>Item</u>	<u>Part Number</u>	<u>Description</u>
Lubricants	XP Premium	610 00 00-85	XP Premium - 2.6 oz (1 Gallon Mix)
		610 00 00-82	XP Premium - 6.4 oz (2.5 Gallon Mix)
	<u>Item</u>	<u>Part Number</u>	<u>Description</u>
Protective Apparel	Protective Glasses	531 30 00-11	Xtreme Protective Glasses
	Protective Gloves	531 30 02-70	Master Grip Gloves, Medium
		531 30 02-71	Master Grip Gloves, Large
		531 30 02-72	Master Grip Gloves, X-Large
	Hearing Protectors	505 66 53-04	Husqvarna Headband Hearing Protectors
		505 66 53-78	Husqvarna Landscaper Radio Hearing Protectors - Digital FM

323L/323R

Part Number	Description	Square	Part Number	Description	Square
501 60 02-03	SCREWDRIVER	Q	503 72 43-03	HANDLE	C
501 78 33-01	HANGING BRACKET	Q	503 73 40-01	STRAP	Q
502 02 28-02	HOOK, CPL.	Q	503 73 41-02	STRAP	Q
502 11 46-02	COMBI WRENCH	Q	503 73 58-01	FUEL TANK BUSHING	J
502 19 71-01	NUT (LOOP HANDLE)	BC	503 75 53-01	SCREW	Q
502 19 95-03	HANDLE	C	503 79 56-01	DECAL WARNING "NO BLADES"	B
502 20 40-01	KNOB	G	503 79 88-01	LINE CUTTER	P
502 20 65-03	SCREW	G	503 80 45-01	BRACKET	C
502 21 12-01	GROMMET	C	503 81 60-01	SPRING	K
502 21 58-01	L-KEY WRENCH	Q	503 84 28-01	CLUTCH	K
502 27 22-01	BLADE GUARD	P	503 84 29-02	SCREW	K
503 20 03-25	SCREW	G	503 85 24-74	CRANKSHAF	N
503 20 07-12	SCREW	A	503 85 63-01	GEARHEAD NUT - BRUSHCUTTER	A
503 20 07-16	SCREW	C	503 85 89-01	STARTER ROPE	H
503 20 07-25	SCREW	A	503 86 45-01	DRIVE SHAFT	BC
503 20 07-35	SCREW	E	503 87 17-01	SCREEN	L
503 20 14-12	SCREW	A	503 87 19-01	HANDLE, LOOP	B
503 20 15-01	PLUG	A	503 87 26-01	CLUTCH DRUM	BCM
503 20 29-50	SCREW	L	503 87 33-02	PAWL ASSY COMPLETE	H
503 21 07-16	SCREW	P	503 87 35-02	STARTER PAWL	H
503 21 07-45	SCREW	C	503 87 36-01	SPRING	H
503 21 35-12	SCREW	F	503 87 79-01	THROTTLE TRIGGER	D
503 21 66-16	SCREW	E	503 87 80-01	THROTTLE LOCK	D
503 21 66-18	SCREW	DM	503 88 23-01	HOLDER	C
503 21 68-16	SCREW	C	503 88 79-01	COVER	G
503 21 68-20	SCREW	FM	503 88 80-01	AIR FILTER COVER	G
503 21 68-25	SCREW	M	503 88 88-01	DRIVE TUBE ASSEMBLY	BC
503 21 71-16	SCREW	K	503 89 03-01	FILTER HOLDER	G
503 21 75-16	SCREW	GP	503 91 09-01	PARTITION	G
503 21 75-20	SCREW	HM	503 91 10-01	SUPPORT	J
503 21 75-25	SCREW	C	503 91 18-02	FUEL CAP	J
503 21 75-50	SCREW	G	503 91 81-01	LEVER	D
503 21 77-16	SCREW	H	503 93 42-02	GRASS SHIELD	P
503 21 83-16	SCREW 5X14	Q	503 93 55-01	BRACKET TRIMMER GUARD	A
503 22 10-13	NUT	E	503 93 66-01	AIR PURGE BUBBLE	J
503 22 65-04	NUT	G	503 94 02-03	HOLDER	N
503 23 00-61	WASHER	B	503 94 03-01	SPACER PLASTIC	B
503 23 51-08	SPARK PLUG RCJ7Y	K	503 94 10-01	HARNESSE HOLDER	C
503 23 51-11	BPMR7A NGK SPARK PLUG	K	503 94 26-01	PIPE	G
503 25 24-01	BEARING	A	503 96 13-01	SCREW MT5X11	DF
503 28 34-01	CARBURATOR	GQ	503 96 14-01	VIBRATION DAMPER	D
503 28 90-43	PISTION RING	L	503 96 25-01	CHOKE CONTROL	G
503 44 32-01	FUEL FILTER	J	503 96 31-01	CLAMP	C
503 47 89-01	SPACER	Q	503 96 49-01	STARTER PULLEY ASSY.	H
503 47 90-01	SCREW	Q	503 97 21-01	COVER	F
503 47 92-01	SCREW	Q	503 97 40-01	WASHER	Q
503 47 96-01	SCREW	Q	503 97 43-01	COVER	Q
503 47 97-01	INLET NEEDLE	Q	503 97 64-01	BEVEL GEAR GREASE	Q
503 48 00-01	PIN FULCRUM	Q	503 97 71-01	TRIMMER GUARD ASSEMBLY	P
503 48 01-01	SCREW	Q	503 99 55-01	HANDLE	D
503 48 05-01	SCREW	Q	503 99 56-01	HANDLE	D
503 48 08-01	SPRING	Q	531 00 45-52	GASKET KIT (ZAMA GND39)	Q
503 48 11-01	PLUG	Q	531 00 45-53	CARBURETOR KIT (ZAMA RB69)	Q
503 48 18-01	SCREW	Q	531 00 92-48	AIR FILTER OIL	Q
503 48 19-01	BUSHING	Q	537 00 84-01	STARTER HANDLE	H
503 49 71-01	GASKET	G	537 01 13-01	SPRING	D
503 53 57-01	STRAINER	Q	537 01 25-01	BALL	Q
503 66 59-01	LEVER	Q	537 01 26-01	SPRING	Q
503 71 22-01	BEARING	LN	537 01 41-01	GASKET	L
503 72 10-03	HANDLE	C	537 01 96-01	SHAFT	Q

IPL, 323 L, 323 R, 2005-03, 544 06 35-01

323L/323R

Part Number	Description	Square	Part Number	Description	Square
537 01 97-01	SPRING THROTTLE	Q	537 19 92-02	GEAR HEAD	A
537 01 98-01	ARM	Q	537 21 62-01	STRAP	Q
537 01 99-01	THROTTLE FLAP	Q	537 21 62-02	SHOULDER STRAP	Q
537 02 00-01	PUMP DIAPHRAGM	Q	537 21 63-01	HARNESS DUO	Q
537 02 01-01	GASKET	Q	537 21 63-02	HARNESS	Q
537 02 02-01	COVER	Q	537 23 49-01	DRIVE DISC	A
537 02 03-01	SPRING	Q	537 23 96-01	SPARK PLUG CONNECTION	K
537 02 04-01	GASKET	Q	537 24 96-02	FLYWHEEL	K
537 02 06-01	NEEDLE HIGH SPEED	Q	537 28 56-01	SUPPORT FLANGE	A
537 02 07-01	SCREW	Q	537 29 26-01	WASHER	A
537 02 08-01	PIN	Q	537 29 34-01	ADAPTER	P
537 02 09-01	CHOKE SHAFT	Q	537 29 48-01	WARNING DECAL	BC
537 02 10-01	SPRING	Q	537 29 95-01	TRIMMER GUARD ASSY	P
537 02 16-01	CAP	Q	537 30 96-01	COMPRESION SLEEVE/ISOLATOR	M
537 03 20-08	CYLINDER	L	537 31 29-01	BLADE GUARD TRANSPORT	Q
537 03 22-01	CLUTCH	K	537 32 08-01	MUFFLER COVER	F
537 04 11-02	CRANKCASE	M	537 35 33-14	DECAL, 323L CYLINDER COVER	F
537 04 12-03	CLUTCH COVER 300 SERIES TRIM	M	537 35 34-04	DECAL	H
537 04 24-01	HOSE	J	537 37 03-01	CHOKE CAP	Q
537 04 67-01	WASHER	K	537 37 65-04	PISTON	L
537 04 68-01	WASHER	K	537 41 42-01	SHORT-CIRCUIT CABLE	D
537 04 75-01	CLAMP	P	537 41 87-01	IGNITION MODULE MB50	K
537 04 89-01	DIAPHRAGM	Q	537 41 90-01	STOP BUTTON	DE
537 04 90-01	LEVER	Q	537 42 44-01	CABLE HARNESS COMPLETE	E
537 05 23-01	HOSE	J	725 23 68-71	BOLT FLANGE - M6X20	P
537 05 25-01	THROTTLE CABLE	D	725 23 70-51	SCREW M6S 6X20	A
537 06 86-01	TANK UNIT	J	725 23 78-51	SCREW	B
537 07 36-01	HOLDER	M	725 53 37-55	SCREW MC6S 5X35	L
537 10 44-01	PROTECTOR	F	731 23 14-01	NUT	CG
537 12 78-01	LOW SPPED NEEDLE	Q	731 71 16-51	FLANGE NUT	HK
537 16 02-03	HANDLE	E	735 31 08-20	E-RING 4	H
537 16 03-01	HANDLE	E	735 31 11-00	RETAINING RING	A
537 16 06-01	THROTTLE LOCK	E	735 31 25-10	RETAINING RING	A
537 16 07-01	THROTTLE LOCK	E	735 31 28-10	RETAINING RING SGH 28	A
537 16 08-01	THROTTLE TRIGGER	E	737 44 08-00	CLIP RING	L
537 17 39-01	THROTTLE WIRE	E	738 21 98-00	BALL BEARING 8X22X7/608Z	A
537 17 42-01	SPRING	E	738 21 99-00	BALL BEARING 24X9X1/609ZR	A
537 17 43-01	SPRING	E	738 21 99-02	BEARING	A
537 18 49-01	O-RING	J	740 42 06-00	O-RING 8X1.6	D
537 18 63-01	AIR FILTER (READY-OILED)	G			

IPL, 323 L, 323 R, 2005-03, 544 06 35-01